



# PINGLIVE SONAR INSTALLATION GUIDE

<b>PART I Safety and Preparation</b> .....	<b>2</b>
Pre-Installation Requirements .....	2
1. Software Update .....	2
2. Firmware Update .....	2
Tools and Parts .....	2
Parts Inventory .....	2
<b>PART II Installation Diagram(Quick guide)</b> .....	<b>3</b>
<b>PART III Wi-Fi Router Installation guidelines</b> .....	<b>3</b>
Mounting the unit .....	3
Wiring the unit .....	3
Built-in Self-recovery Fuse Protection .....	3
<b>PART IV Transducer Mounting Guidelines</b> .....	<b>3</b>
Barrel Mount Instruction .....	3
Shaft Mount Instruction .....	5
Panoramic Mount Instruction .....	6
<b>PART V General Guidelines</b> .....	<b>7</b>
<b>PART VI Configuration and Connection</b> .....	<b>8</b>
Configuration .....	8
Powering and Connecting the Wi-Fi Router .....	8
Setup Instructions .....	8
<b>PART VII Troubleshooting</b> .....	<b>9</b>
WiFi-Router Indicator Lights .....	9
<b>PART VIII Specifications</b> .....	<b>9</b>
<b>PART IX Maintenance</b> .....	<b>10</b>

## ⚠ SAFETY WARNING

### PART I Safety and Preparation

Follow all standard safety precautions and best practices to ensure safe operation. Sonar technology enhances underwater awareness but does not replace visual navigation—always operate your vessel responsibly. Improper installation or maintenance may cause equipment damage or personal injury. Carefully follow all setup instructions. For optimal performance and to prevent damage, adhere strictly to this guide. If you need assistance, contact Accuphy Support.

### ⚠ Transducer Warning

Do not leave the transducer powered on while out of the water for extended periods. The transducer uses water as a heatsink for its embedded processor. Do not bypass the Wi-Fi Router when connecting power to the transducer. Applying a voltage higher than 18V directly to the transducer may cause permanent damage, which is not covered under warranty.

### Pre-Installation Requirements

#### Software Update

Keep your Accuphy SonarApp up to date by downloading the latest version from the Apple App Store.

#### Firmware Update

To update the firmware on your PingLive system, follow these steps

1. Connect to the Wi-Fi router and ensure the PingLive transducer is powered on. Please refer to Part II, Part III and Part VI for connectivity setup.
2. Open the Accuphy Sonar app on your device.
3. Navigate to Settings > Firmware Update.
4. Select the correct Port Number for your transducer.
5. Tap Update and wait for the process to complete.

#### Installation Videos

Watch step-by-step videos by scanning the QR code on the product packaging.

### Tools and Parts

#### Required Tools

- Drill with an appropriate bit for the mounting surface
- Electrical tape or cable ties

### Parts Inventory

- Hardware is organized in labeled bags (I-IV). Open bags as instructed.
- Wi-Fi Router

#### BAG I

- AC Mount\*1
- Short Nob\*1
- Panoramic mount\*1
- TPE (thermoplastic elastomer)
- Rubber liner\*1
- Rubber washer\*1

#### BAG II

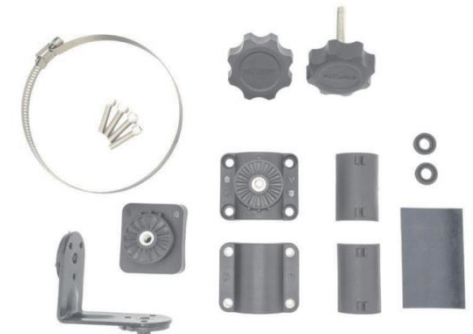
- D Mount\*1
- TPE (thermoplastic elastomer)
- Rubber Liner\*1
- M6x25\*4
- Hex Key\*1

#### BAG III

- Long Knob\*1
- Rubber Washer\*1

#### BAG IV

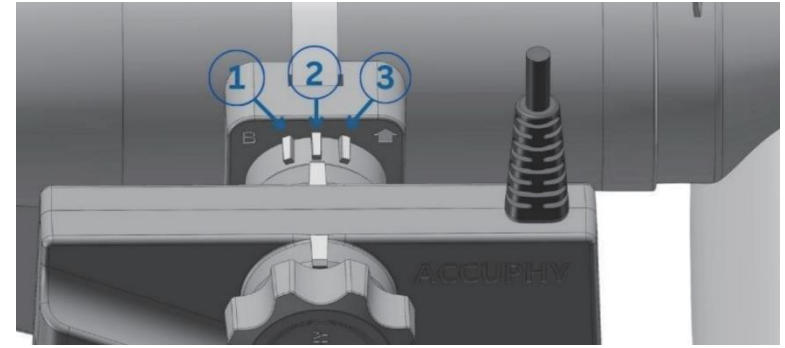
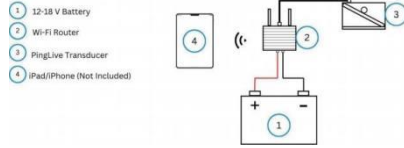
- B Mount\*1
- Hose clamp\*1
- Rubber Liner PAD\*1



## PART II Installation Diagram (Quick Guide)

Refer to the quick setup guide for installation instructions. Transducer mounting options are detailed in Part IV of the installation guide.

### Installation Diagram (Wi-Fi Router)



## PART III Wi-Fi Router Installation Guidelines

### Mounting The Unit

1. Position the device at the desired mounting location and mark the pilot hole positions.
2. Drill a pilot hole in one corner.
3. Partially secure the device using one screw, then check the alignment of the remaining pilot holes.
4. If adjustments are needed, mark new pilot-hole locations and remove the device.
5. Drill the remaining pilot holes.
6. Secure the device firmly in place.

### Wiring The Unit

Refer to PART II for the wiring quick guide.

If a power cable extension is required for your setup, use the appropriate wire gauge:

- 10 AWG (5.26 mm<sup>2</sup>) – Up to 4.6m (15ft)
- 8 AWG (8.36 mm<sup>2</sup>) – Up to 7m (23ft)
- 6 AWG (13.29 mm<sup>2</sup>) – Up to 11m (36ft)

### Built-in Resettable Fuse Protection

The AccuPHY Wi-Fi Router is equipped with self-recovery fuses designed to protect against overcurrent conditions. These fuses function similarly to traditional fuses by interrupting power when excessive current is detected. However, unlike conventional fuses that require manual replacement, self-recovery fuses automatically reset and restore power once the overcurrent condition is resolved.

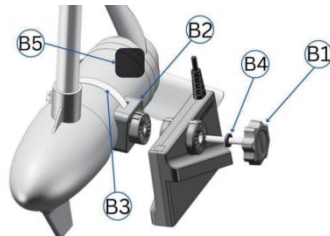
Currently, both the single-port Wi-Fi Router incorporate a built-in 7A self-recovery fuse. Future multi-port models will be equipped with fuses rated for higher current to meet increased power requirements.

## PART IV Transducer Mounting Guidelines

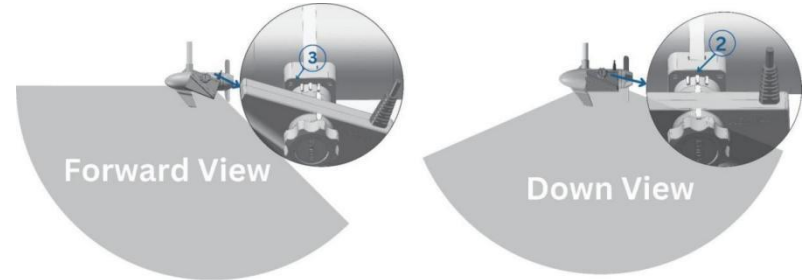
### Barrel Mount Instruction

Use parts from bags III, IV

1. Place the rubber liner (B5) between the barrel and (B2) mount (bag IV).
2. Secure the mount (B2) using the hose clamp (B3) (Bag IV). Ensure that letter 'B' and the arrow are facing up.
3. Attach the transducer and tighten the knob (B1) (Ensure rubber washer (B4) is attached properly)



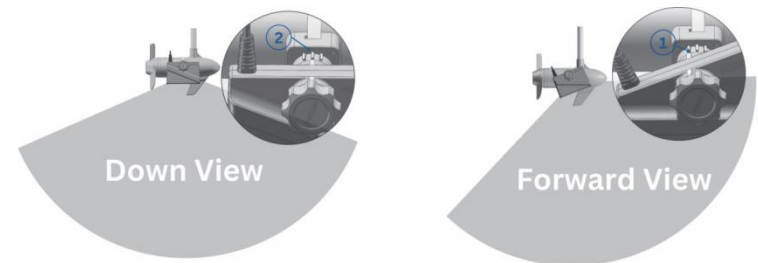
### Port Side Barrel Mounting



### Port Side Panomarcic Mounting

Down View	Align the notch to Mounting Point 2 and secure the transducer—once aligned, tighten the knob to hold it firmly in place.
Forward View	Align the notch to Mounting Point 3 and secure the transducer—once aligned, tighten the knob to hold it firmly in place.

### Starboard Side Barrel Mounting



### Starboard Side Barrel Mounting

Down View	Align the notch to Mounting Point 2 and secure the transducer—once aligned, tighten the knob to hold it firmly in place.
Forward View	Align the notch to Mounting Point 1 and secure the transducer—once aligned, tighten the knob to hold it firmly in place.

## Shaft Mount Instruction

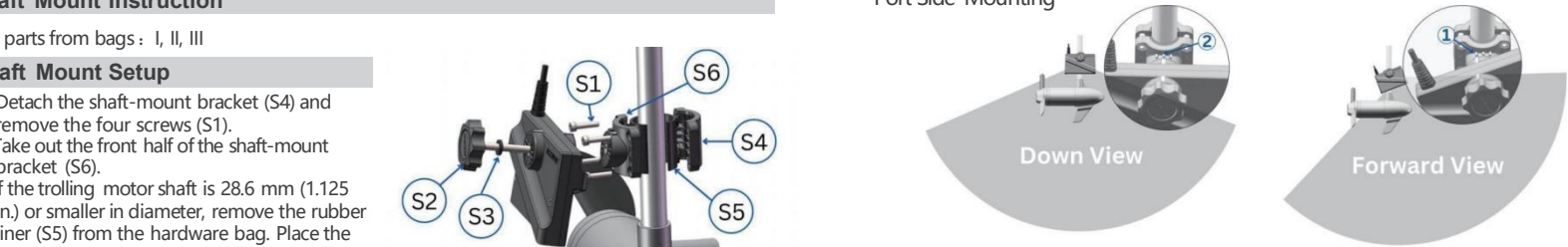
Use parts from bags : I, II, III

### Shaft Mount Setup

- Detach the shaft-mount bracket (S4) and remove the four screws (S1).
- Take out the front half of the shaft-mount bracket (S6).
- If the trolling motor shaft is 28.6 mm (1.125 in.) or smaller in diameter, remove the rubber liner (S5) from the hardware bag. Place the rubber liner (S5) onto the shaft-mount brackets (S4, S6).
- Align the bracket (S6), ensuring that letter 'A' and the arrow are pointing upward.
- Secure the shaft-mount bracket (S4, S6) around the shaft and liner. (Rubber liner (S5) not required for shafts larger than 28.6 mm (1.125 in.) in diameter)
- Insert the screws (S1) into the bracket and tighten them using an M5 hex wrench.
- (Optional) Adjust the bracket by transitioning the trolling motor between deployed and stowed positions to ensure proper placement.
- Remove the securing knob (S2) from the hardware bag.
- Attach the transducer to the mount (S6) and hand-tighten the knob (S2). (Ensure the rubber washer (S3) is placed on the knob (S2) before securing.
- Secure the transducer cable along the shaft or another stable location.
- Route the cable carefully to the sonar module while avoiding:
  - Contact with the propeller when the motor is running.
  - Placement near electrical wiring or other interference sources.
  - Pinching when the motor is deployed or stowed
- Adjust the transducer to your preferred angle and tighten the securing knob (S2).



## Port Side Mounting



### Starboard Side Shaft Mounting

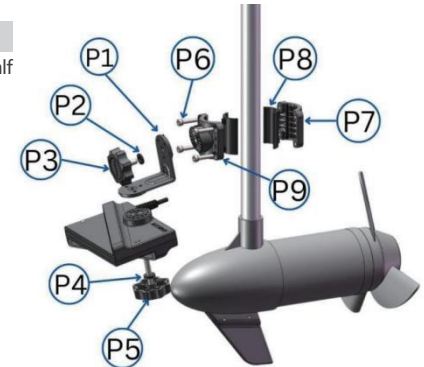
Down View	Align the notch to Mounting Point 2, make sure letter A & ARROW is pointing up. Secure the transducer—once aligned, tighten the knob to hold it firmly in place.
Forward View	Align the notch to Mounting Point 1 make sure letter A & ARROW is pointing up. Secure the transducer—once aligned, tighten the knob to hold it firmly in place.

## Panoramic Mount Instruction

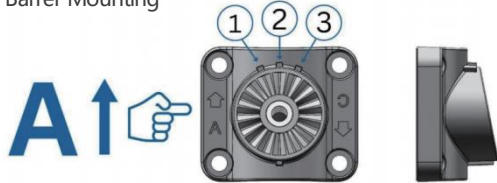
Requires parts from bags I, II, III

### Panoramic Mode Mount Setup

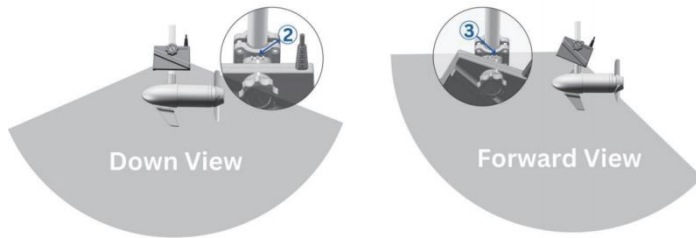
- Remove the extension arm (P1), the front half of the mounting bracket (P9), and the short knob (P3) from the hardware bag.
- Take out the back half of the mounting bracket (P7) and the four screws (P6) from the hardware bag.
- Remove the long knob (P5) from the hardware bag.
- Secure the shaft-mount bracket (P9, P7) around the shaft and liner.
- If the trolling motor shaft is 28.6 mm (1.125 in.) or smaller, take out the rubber liner (P8) (both) from the hardware bag. Place the rubber liner (P8) onto the shaft-mount brackets (P7, P9).
- Align the letter 'C' and the arrow pointing upward on the front half of the mounting bracket (P9) before attaching it to the trolling motor shaft. (The perspective mode bracket features an 11-degree angle, allowing the extension arm to transition smoothly between all three sonar views)
- Place the bracket (P9) around the rubber liner (P8), insert the screws (P6), and secure them using an M5 hex wrench. (Rubber liner (P8) not required for shafts larger than 28.6 mm (1.125 in.) in diameter)
- (Optional) Move the trolling motor between deployed and stowed positions to test the bracket placement and make adjustments if needed.
- With the 90-degree angle facing downward, attach the shorter extension arm (P1) to the mounting bracket (P9) using the short knob (P3).
- Position the transducer below the longer end of the extension arm (P1) and secure it with the long knob (P5).
- Secure the transducer cable along the motor shaft or another stable location.
- Route the transducer cable to the sonar module while following these precautions:
  - Keep the cable away from the propeller to prevent damage.
  - Avoid placing it near electrical wiring or interference sources.
  - Ensure the cable is not pinched when the trolling motor is stowed or deployed. (For extra cable length, an optional extension cable can be used.)
 Adjust the transducer to the preferred angle for the desired viewing mode and secure it in place.



## Starboard Side Barrel Mounting



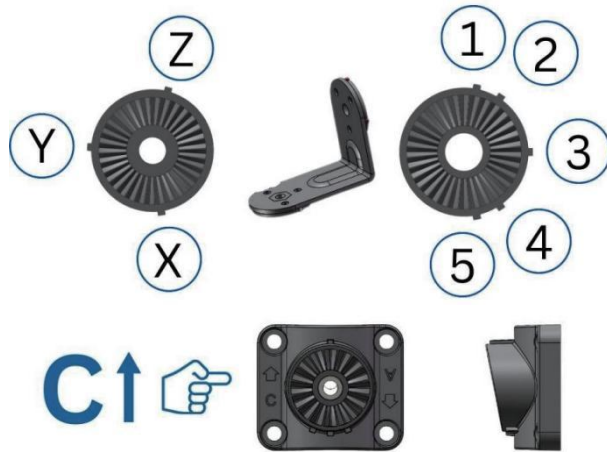
## Port Side Mounting



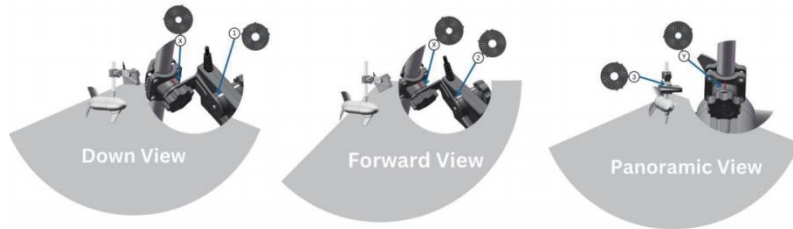
### Port Side Shaft Mounting

Down View	Align the notch to Mounting Point 2, make sure letter A & ARROW is pointing up. Secure the transducer—once aligned, tighten the knob to hold it firmly in place.
Forward View	Align the notch to Mounting Point 3 make sure letter A & ARROW is pointing up. Secure the transducer—once aligned, tighten the knob to hold it firmly in place.

Use the Following Diagrams for Panoramic Mounting Reference



Panoramic Mounting



### Panoramic Mounting

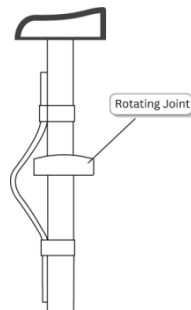
Down View	Align the notch from Mounting Point X to Mounting Point 1. Ensure that the letter C and the arrow are pointing up. Secure the transducer—once aligned, tighten the knob firmly in place.
Forward View	Align the notch from Mounting Point X to Mounting Point 2. Ensure that the letter C and the arrow are pointing up. Secure the transducer—once aligned, tighten the knob firmly in place.
Panoramic View	Align the notch from Mounting Point Y to Mounting Point 3. Ensure that the letter C and the arrow are pointing up. Secure the transducer—once aligned, tighten the knob firmly in place.

### PART V General Guidelines

- Position the transducer to avoid propeller contact.
- Ensure cables are secured with electrical tape (avoid overtightening zip ties).
- Maintain a 25 cm (10 in.) service loop near rotating joints.

#### Cable Management

Use electrical tape to secure cables above/below rotating joints



### PART VI Configuration and Connection

#### Configuration

##### • Shaft and Barrel Mount

For barrel and shaft mounts, each step of the mounting teeth adjusts by 22.5°. Both mounts have 16 teeth, allowing for precise positioning of the transducer.

If the transducer is mounted one step upward from the standard notch, the top edge of the sonar view tilts upward by 22.5°. In this case, the angle setting in the Accuphy Sonar app should be adjusted to -22.5°. Additionally, the depth value should be set according to the actual installation for accurate readings.

Once adjusted, the displayed sonar image will accurately correspond to the real-world underwater environment.

##### • Panoramic Mount

For the panoramic mount, each adjustment step of the transducer shifts by 11.25°.

Depending on the mounting position on the trolling shaft, if the transducer is positioned one step upward from the standard notch, the sonar view tilts upward by 11.25°. To compensate, the angle setting in the Accuphy Sonar app should be adjusted to -11.25°, and the depth value should be calibrated based on the actual installation.

With proper adjustments, the sonar display will align accurately with the underwater terrain.

#### Powering and Connecting the Wi-Fi Router

The Wi-Fi router operates within an input voltage range of 11-18V and requires a minimum 6A current capacity for stable performance.

#### Setup Instruction

##### Connecting via Wi-Fi Router (Wireless Connection)

Power the Wi-Fi Router – Connect it to a compatible battery within the voltage range.

1. Connect the Transducer – Ensure the transducer is securely plugged into the Wi-Fi router.
2. Connect to Wi-Fi – On your iOS device, go to Wi-Fi settings and select:
  - Network (SSID): Accuphy\_XXXX
  - Password: 12345678
3. Once connected, launch the Accuphy Sonar app to begin using your sonar system

## PART VII Troubleshooting

1. Keep the App and Firmware Up to Date
  - a. Always ensure that both the Accuphy app and transducer firmware are updated to the latest version.
2. If issues persist, try uninstalling and reinstalling the app.
3. Verify Battery Capacity
  - a. The battery must provide a minimum output current of 6A to ensure proper operation.
4. Check All Connections
  - a. Inspect power cable connections, transducer cable connections, and battery status.
5. If Issues Persist After Steps 1-4:
  - a. Power Cycle: Turn off the system completely, then restart it.
  - b. Restart the App: Force close the Accuphy app and reopen it.

### Still Experiencing Issues?

- Contact Accuphy customer support for further assistance.

## WiFi-Router Indicator Lights

### Power Indicator Light (Router)

- Red Light: Turns on when powered

### Router Network Status Indicator

- Green Light:
  - Turns on briefly after powering up, then turns off.
  - About 45-60 seconds after powering on, the light turns on again and starts blinking—this indicates that the SSID is now visible and ready for connection.
  - When connected and data communication is undergoing, the light blinks.
  - When no data is being transmitted, the light turns off.

## PART VIII Specifications

### ACCUPHY PINGLIVE SONAR SPECIFICATIONS

#### GENERAL PARAMETERS

DIMENSION	16 x 10.5 x 4.8 cm, or 6.3 x 4.1 x 1.9 inches
WEIGHT	1.08 kg, or 2 lb 6 oz
TRANSDUCER BEAMWIDTH	20° x 135°
TRANSDUCER CABLE LENGTH	6 meters
TEMPERATURE RANGE	0°C to 40°C, or 32°F to 104°F

#### ELECTRICAL PARAMETERS

POWER INPUT	11-18 VDC
POWER USAGE	22W typical, 40W max

#### SONAR PARAMETERS

FREQUENCY	450 - 1,100 kHz
TRANSMIT POWER	500 W
MAXIMUM RANGE	70.0 m, or 230 feet (freshwater)

### ACCUPHY WI-FI ROUTER ONE SPECIFICATIONS

#### GENERAL PARAMETERS

DIMENSION	8.8 x 5.7 x 3.2 cm
WEIGHT	0.12 Kg
TEMPERATURE RANGE	-20°C to 40°C
TRANSDUCER PORTS	1

#### ELECTRICAL PARAMETERS

POWER INPUT	10-18 VDC
POWER USAGE	2.5W typical, 5W max

#### WI-FI PARAMETERS

FREQUENCY	5.8GHz
WI-FI MODES	IEEE802.11N/AC

## PART IX Cautions

- Clean the transducer regularly with soft cloth and mild detergent.
- Ensure the transducer is securely mounted and properly angled before use.
- The Wi-Fi Router is waterproof but avoid submerging them in water.
- Do not apply excessive force when adjusting the mount.